



PARK GROVE

OMA · REM KOOLHAAS

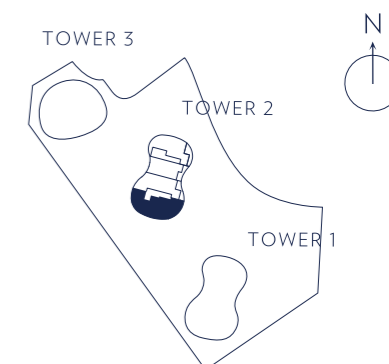
Coconut Grove, Miami

Tower 2 Residence A

4 BEDROOMS - 5.5 BATHS
STAFF QUARTERS



	SQ FT	M ²
Interior	3,592	333.7
Exterior	458	42.5
Total	4,050	376.2



Brickell

REALTY GROUP

2071 NW 112th Avenue, Miami, FL 33172

www.brickell-realty.com/ParkGrove.html

Oral representation cannot be relied upon as correctly stating representations of the developer. Pictures of homes and condos may not reflect and final products may vary. Dimensions, specifications, improvements, rendering, plans, land uses, materials, amenities, prices, and availability are subject to change at the developer's discretion without notice.



PARK GROVE

OMA · REM KOOLHAAS

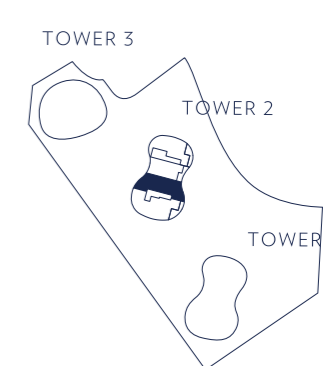
Coconut Grove, Miami

Tower 2 Residence B

3 BEDROOMS - 3.5 BATHS
SERVICE AREA



	SQ FT	M ²
Interior	2,884	267.9
Exterior	393	36.5
Total	3,277	304.4



Brickell

REALTY GROUP

2071 NW 112th Avenue, Miami, FL 33172

www.brickell-realty.com/ParkGrove.html

Oral representation cannot be relied upon as correctly stating representations of the developer. Pictures of homes and condos may not reflect and final products may vary. Dimensions, specifications, improvements, rendering, plans, land uses, materials, amenities, prices, and availability are subject to change at the developer's discretion without notice.



PARK GROVE

OMA · REM KOOLHAAS

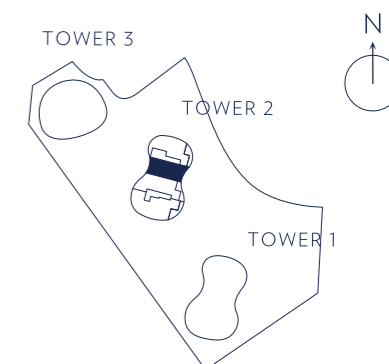
Coconut Grove, Miami

Tower 2 Residence C

2 BEDROOMS - 2.5 BATHS
SERVICE AREA



	SQ FT	M ²
Interior	2,232	207.4
Exterior	314	29.2
Total	2,546	236.6



Brickell

REALTY GROUP

2071 NW 112th Avenue, Miami, FL 33172

www.brickell-realty.com/ParkGrove.html

Oral representation cannot be relied upon as correctly stating representations of the developer. Pictures of homes and condos may not reflect and final products may vary. Dimensions, specifications, improvements, rendering, plans, land uses, materials, amenities, prices, and availability are subject to change at the developer's discretion without notice.



PARK GROVE

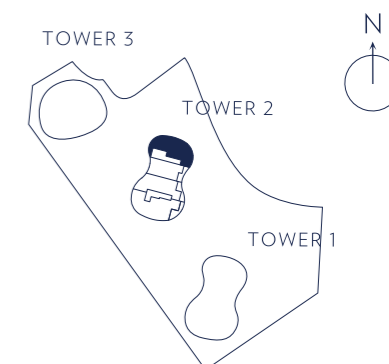
OMA · REM KOOLHAAS

Coconut Grove, Miami

Tower 2 Residence D

3 BEDROOMS - 3.5 BATHS
SERVICE AREA

	SQ FT	M ²
Interior	2,917	271.0
Exterior	439	40.8
Total	3,356	311.8



Brickell REALTY GROUP

2071 NW 112th Avenue, Miami, FL 33172

www.brickell-realty.com/ParkGrove.html

Oral representation cannot be relied upon as correctly stating representations of the developer. Pictures of homes and condos may not reflect and final products may vary. Dimensions, specifications, improvements, rendering, plans, land uses, materials, amenities, prices, and availability are subject to change at the developer's discretion without notice.